

DIAGNOSTIC LED FEATURES

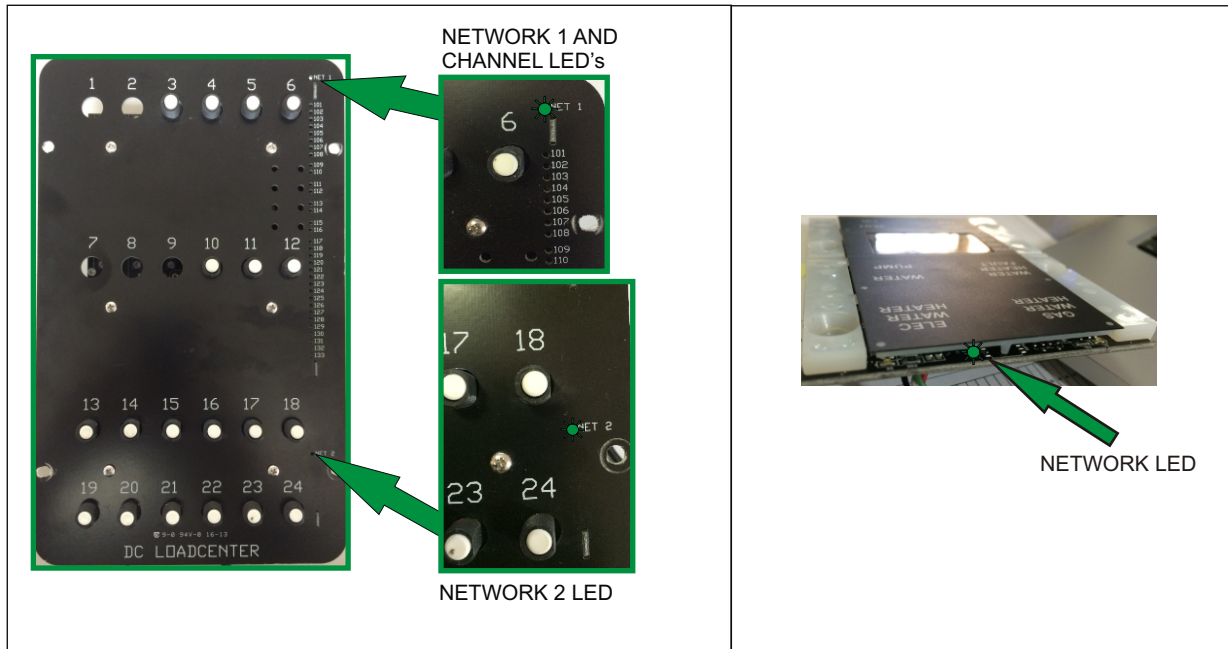
2014 Allegro - Multiplex System LED Chart	
LED #	CIRCUIT NAME
101	BED ROOM LTS
102	MAIN CEILING LTS
103	TASK LTS
104	HALL LTS
105	ENTRY LT
106	TOILET RM LT
107	REAR BATH LT
108	FLOOR LT
109	Bed Slide RET
110	Bed Slide EXT
111	P/S FR Slide RET
112	P/S FR Slide EXT
113	Vanity Slide RET
114	Vanity Slide EXT
115	D/S FR Slide RET
116	D/S FR Slide EXT
117	Awning Ret
118	Awning Ext
119	Water Pump
120	Hydraulic Pump
121	Water Heater - Gas
122	Water Heater - Elec
123	PORCH LT
124	Spare Lights
125	Galley Fan Dn
126	Galley Fan Up
127	Galley Fan on/off
128	Toilet Fan Dn
129	Toilet Fan Up
130	Toilet Fan on/off
131	Bath Fan Dn
132	Bath Fan Up
133	Bath Fan on/off

Each SWITCH PANEL and CONTROL PANEL has built in LED indicators. The CHANNEL LED corresponds with the circuit listed on the chart to the left and indicates if the circuit is ON or OFF. The NETWORK LED indicated if the panel has power and whether or not it is communicating with the other panels within the network.

In the event of a switch panel with a NETWORK LED that indicates a fault, unplug the SWITCH PANEL and plug it into a different NETWORK LOCATION. This could be where another SWITCH PANEL is plugged into. If the SWITCH PANEL LED turns solid green, this could indicate a network wiring issue. Refer to the NETWORK WIRING GUIDE in the previous page.

CONTROL PANEL LED INDICATORS

SWITCH PANEL LED INDICATORS



BREAKERS

BREAKER#	LOAD	AMPS.
1		
2		
3	BED RM & MAIN CEILING LTS	5A
4	TASK LTS & HALL LTS	5A
5	ENTRY LT & TOILET RM LT	5A
6	REAR BATH LT & FLOOR LT	5A
7		
8		
9		
10	WATER HTR (ELEC & GAS)	15A
11	PORCH LT	5A
12	SPARE LIGHTS	5A
13	SPARE	20A
14	SPARE	20A
15	SPARE	20A
16	GALLEY FAN	20A
17	TOILET FAN	15A
18	BATH FAN	15A
19	FRONT FURNACE	15A
20	SWITCHER	5A
21	LP	10A
22	CLST LT/IR	10A
23	EXT ENT	10A
24	EXT ENT	20A

NETWORK STATUS LED INDICATOR

- ★ - SOLID GREEN - device is connected to network and communicating properly
 - - LED OFF - device has no power or has completely failed
- ★ - SOLID RED - device has gone offline and is not connected to network
- ★/○ - FAST FLASHING GREEN (4 times / sec.) - device is attempting to make initial connection and claim a network address
- ★/○ - SLOW FLASHING GREEN (1 time / sec.) - device was online but has not seen a valid network message for 5 seconds
- ★/★ - ALTERNATING RED & ORANGE - device has gone offline and is attempting to re-connect (within 30 seconds)
- ★/★ - ALTERNATING GREEN & ORANGE - device is currently online but has gone offline 2 or more times

DCBR 24-33 CONTROL SYSTEM LAYOUT FOR:

TIFFIN MOTORHOMES

SPYDER CONTROLS SYSTEM

2014 ALLEGRO PINOUT DIAGRAM

PRODUCTION VERSION 05 / 05 / 2014

BREAKER #	LOAD	AMPS
1		
2		
3	Bed RM LTS & Main Ceiling LTS	5A
4	Task LTS & Hall LTS	5A
5	Entry LT & Toilet RMLT	5A
6	Rear Bath LT & Floor LT	5A
7		
8		
9		
10	Water HTR (Elec & Gas)	15A
11	Porch LT	5A
12	Spare Lights	5A
13	Toilet	35A
14	Spare	20A
15	Spare	20A
16	Galley Fan	15A
17	Toilet Fan	15A
18	Bath Fan	15A
19	Front Furnace	15A
20	Switcher	5A
21	LP	10A
22	CLST LT/IR	10A
23	A/C Power	10A
24	Ext Ent	20A

CON J2 - SLIDE OUTPUTS

- Pin 8: BED SLIDE RET
- Pin 7: BED SLIDE EXT
- Pin 6: P/S FR SLIDE RET
- Pin 5: P/S FR SLIDE EXT
- Pin 4: VANITY SLIDE RET
- Pin 3: VANITY SLIDE EXT
- Pin 2: D/S FR SLIDE RET
- Pin 1: D/S FR SLIDE EXT

CON J12 - PUMP SW & WTR HTR

- Pin 4: WATER PMP STATUS
- Pin 3: WATER PMP SWITCH
- Pin 2: WATER HTR WARNING
- Pin 1: WATER PMP SWI GND

CON J6 - SWITCHED OUTPUTS

- Pin 8: SPARE RELAY (BR #12)
- Pin 7: PORCH LT (BR #11)
- Pin 6: WATER HEATER - ELEC (BR #10)
- Pin 5: WATER HEATER - GAS (BR #10)
- Pin 4: HYDRAULIC PUMP
- Pin 3: WATER PUMP
- Pin 2: AWNING EXT
- Pin 1: AWNING RET

CON J8 - FAN OUTPUTS

- Pin 6: GALLEY FAN DN (BR #18)
- Pin 5: GALLEY FAN UP (BR #18)
- Pin 4: GALLEY FAN ON/OFF (BR #18)
- Pin 3: TOILET FAN DN (BR #17)
- Pin 2: TOILET FAN UP (BR #17)
- Pin 1: TOILET FAN ON/OFF (BR #17)

CON J100 - SENSOR INPUTS

- Pin 5: SENSOR COMMON GND
- Pin 4: 0-90 OHM LP GAS SNSR
- Pin 3: BLACK WTR SNSR
- Pin 2: GREY WTR SNSR
- Pin 1: FRESH WTR SNSR

CON J1 - SWITCHED OUTPUTS

- Pin 1: BED RM LTS (BR #3)
- Pin 2: MAIN CEILING LTS (BR #3)
- Pin 3: TASK LTS (BR #4)
- Pin 4: HALL LTS (BR #4)
- Pin 5: ENTRY LT (BR #5)
- Pin 6: TOILET RM LT (BR #5)
- Pin 7: REAR BATH LT (BR #6)
- Pin 8: FLOOR LT (BR #6)

CON J5 - POWER INPUTS

- Pin 1: HWH PUMP 12V+ IN (FROM CDC PANEL)
- Pin 2: FUSED 12V+ INPUT (FROM BATTERY)
- Pin 3: AWNING 12V+ IN (FROM CDC PANEL)
- Pin 4: UNUSED
- Pin 5: UNUSED

CON J7 - FAN OUTPUTS

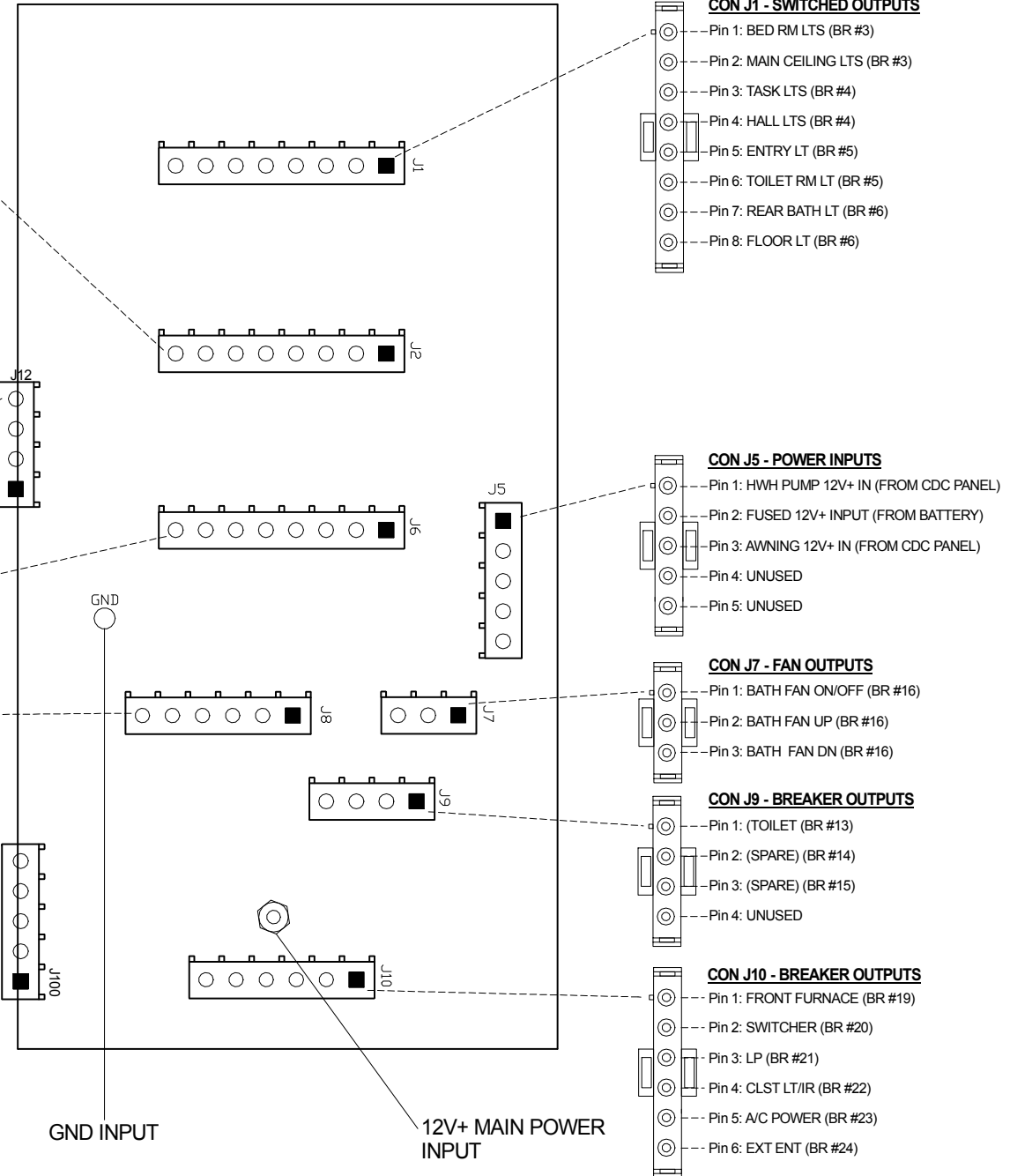
- Pin 1: BATH FAN ON/OFF (BR #16)
- Pin 2: BATH FAN UP (BR #16)
- Pin 3: BATH FAN DN (BR #16)

CON J9 - BREAKER OUTPUTS

- Pin 1: (TOILET (BR #13)
- Pin 2: (SPARE) (BR #14)
- Pin 3: (SPARE) (BR #15)
- Pin 4: UNUSED

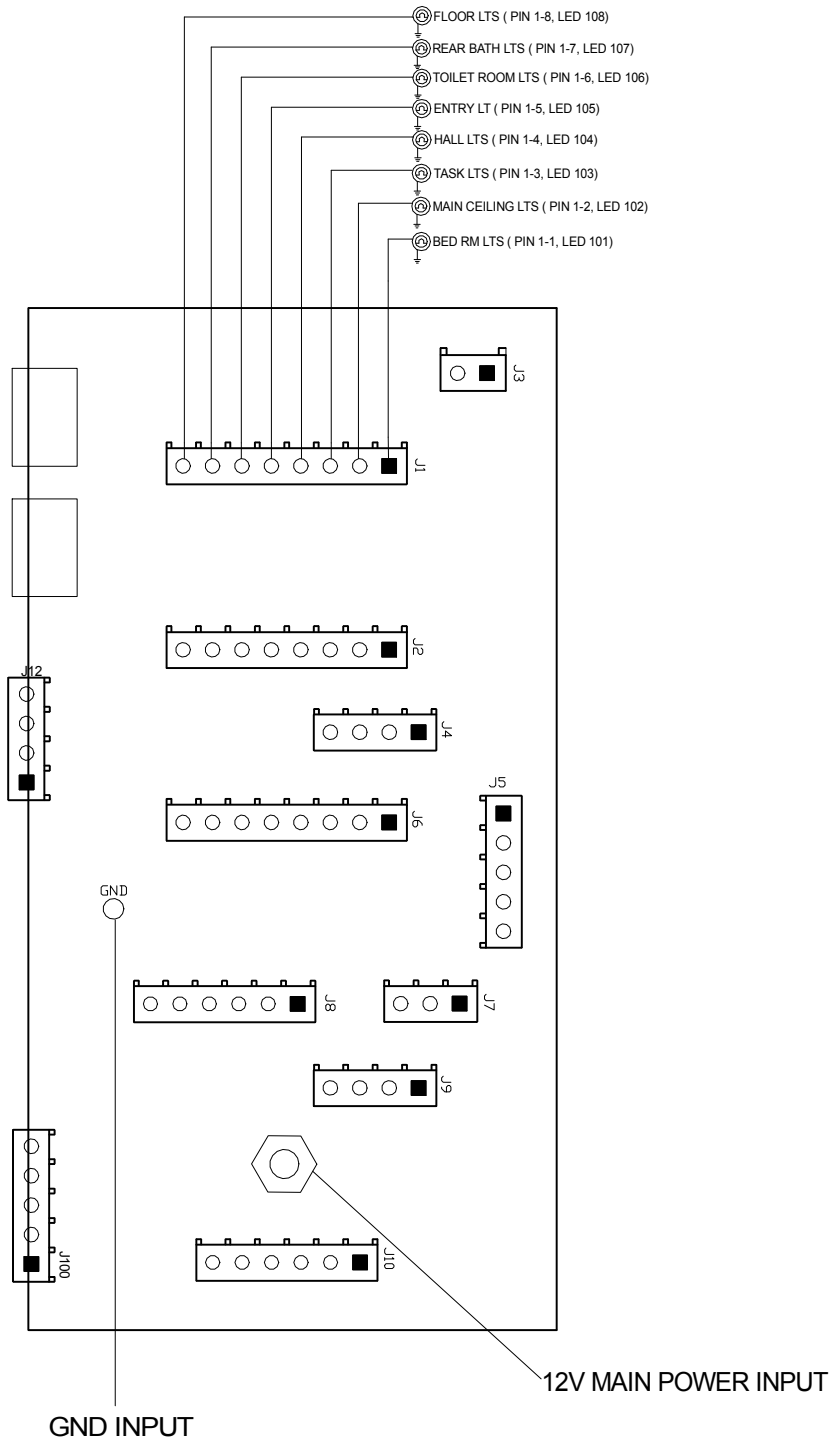
CON J10 - BREAKER OUTPUTS

- Pin 1: FRONT FURNACE (BR #19)
- Pin 2: SWITCHER (BR #20)
- Pin 3: LP (BR #21)
- Pin 4: CLST LT/IR (BR #22)
- Pin 5: A/C POWER (BR #23)
- Pin 6: EXT ENT (BR #24)



BREAKERS

BREAKER#	LOAD	AMPS
1		
2		
3	BED RM & MAIN CEILING LTS	5A
4	TASK LTS & HALL LTS	5A
5	ENTRY LT & TOILET RM LT	5A
6	REAR BATH LT & FLOOR LT	5A
7		
8		
9		
10	WATER HTR (ELEC & GAS)	15A
11	PORCH LT	5A
12	SPARE LIGHTS	5A
13	SPARE	20A
14	SPARE	20A
15	SPARE	20A
16	GALLEY FAN	20A
17	TOILET FAN	15A
18	BATH FAN	15A
19	FRONT FURNACE	15A
20	SWITCHER	5A
21	I P	10A
22	CLST LT/IR	10A
23	EXT ENT	10A
24	EXT ENT	20A



DESC. DCBR 24-33 PANEL LIGHTS

DESIGN FOR: TIFFIN ALLEGRO | TYPE: ELECTRICAL DRAWING

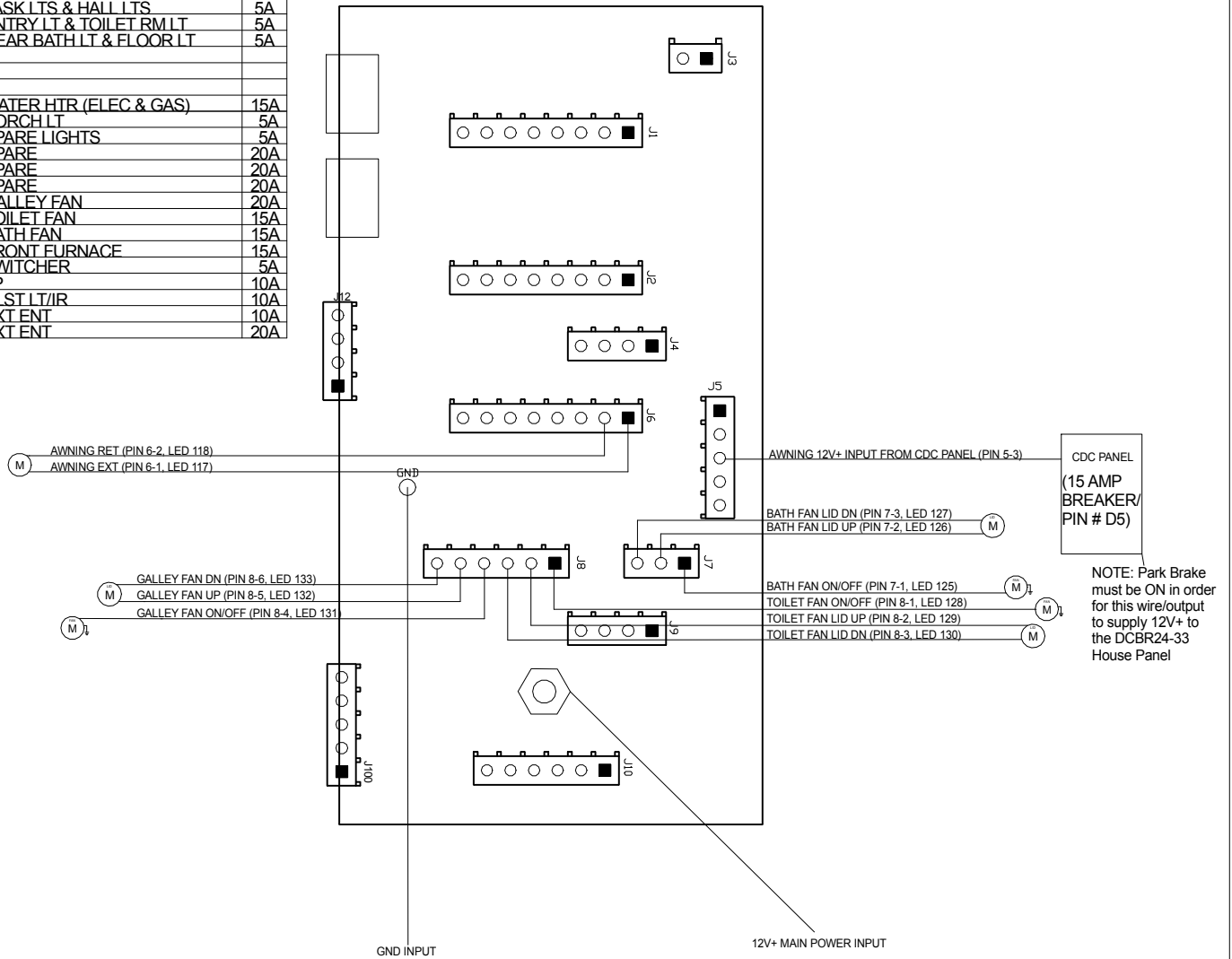
REV # | 1v0

SPYDER CONTROLS CORP

JAN 21/2015

BREAKERS

BREAKER#	LOAD	AMPS
1		
2		
3	BED RM & MAIN CEILING LTS	5A
4	TASK LTS & HALL LTS	5A
5	ENTRY LT & TOILET RM LT	5A
6	REAR BATH LT & FLOOR LT	5A
7		
8		
9		
10	WATER HTR (ELEC & GAS)	15A
11	PORCH LT	5A
12	SPARE LIGHTS	5A
13	SPARE	20A
14	SPARE	20A
15	SPARE	20A
16	GALLEY FAN	20A
17	TOILET FAN	15A
18	BATH FAN	15A
19	FRONT FURNACE	15A
20	SWITCHER	5A
21	LP	10A
22	CLST LT/IR	10A
23	EXT ENT	10A
24	EXT ENT	20A



DESC. DCBR 24-33 PANEL MOTORS

DESIGN FOR: TIFFIN ALLEGRO | TYPE: ELECTRICAL DRAWING

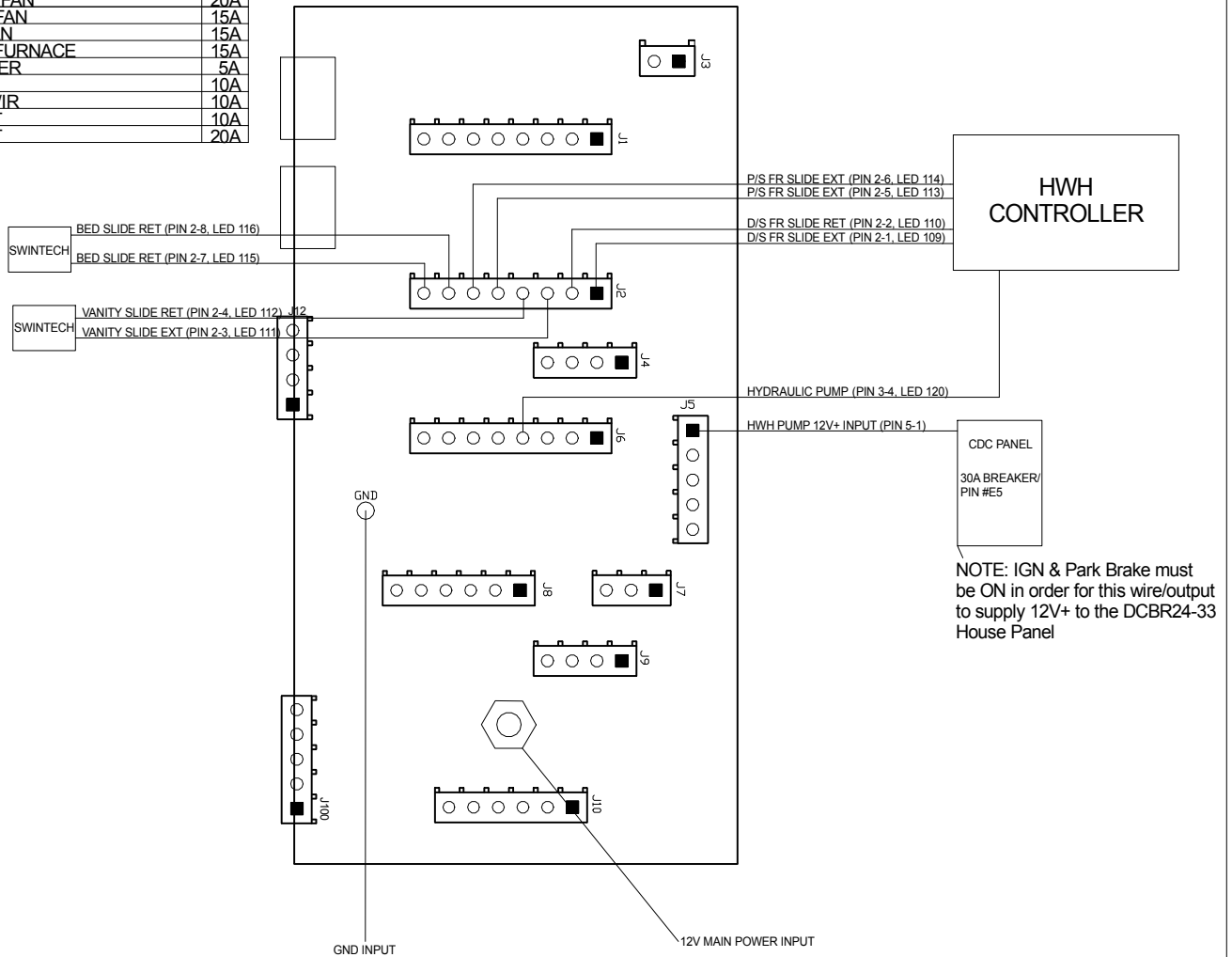
REV # | 1v0

SPYDER CONTROLS CORP

JAN 21/2015

BREAKERS

BREAKER#	LOAD	AMPS
1		
2		
3	BED RM & MAIN CEILING LTS	5A
4	TASK LTS & HALL LTS	5A
5	ENTRY LT & TOILET RM LT	5A
6	REAR BATH LT & FLOOR LT	5A
7		
8		
9		
10	WATER HTR (ELEC & GAS)	15A
11	PORCH LT	5A
12	SPARE LIGHTS	5A
13	SPARE	20A
14	SPARE	20A
15	SPARE	20A
16	GALLEY FAN	20A
17	TOILET FAN	15A
18	BATH FAN	15A
19	FRONT FURNACE	15A
20	SWITCHER	5A
21	LP	10A
22	CLST LT/IR	10A
23	EXT ENT	10A
24	EXT ENT	20A



DESC. DCBR 24-33 PANEL SLIDE CTRL

DESIGN FOR: TIFFIN ALLEGRO | TYPE: ELECTRICAL DRAWING

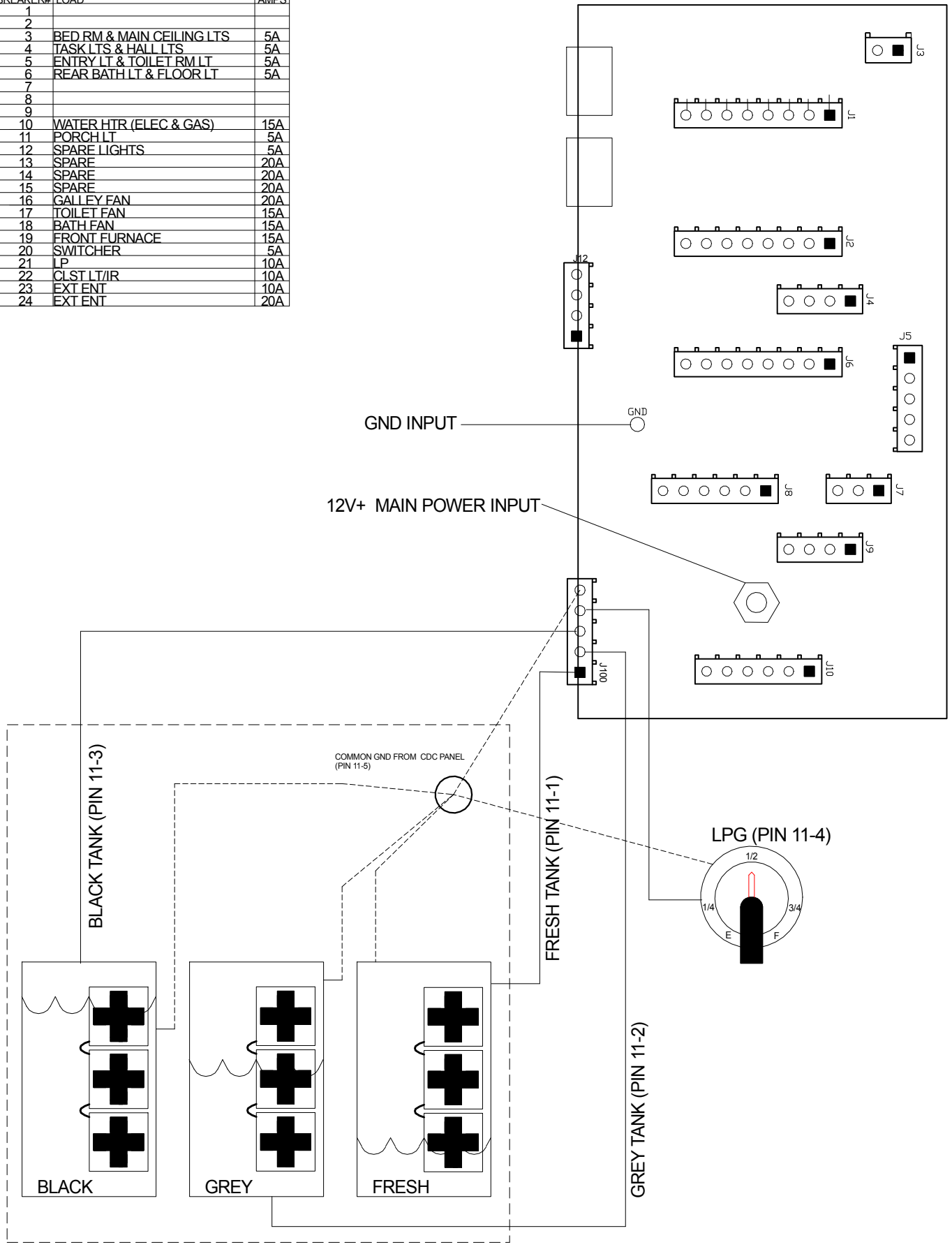
REV # | 1v0

SPYDER CONTROLS CORP

JAN 21/2015

BREAKERS

BREAKER#	LOAD	AMPS
1		
2		
3	BED RM & MAIN CEILING LTS	5A
4	TASK LTS & HALL LTS	5A
5	ENTRY LT & TOILET RM LT	5A
6	REAR BATH LT & FLOOR LT	5A
7		
8		
9		
10	WATER HTR (ELEC & GAS)	15A
11	PORCH LT	5A
12	SPARE LIGHTS	5A
13	SPARE	20A
14	SPARE	20A
15	SPARE	20A
16	GALLERY FAN	20A
17	TOILET FAN	15A
18	BATH FAN	15A
19	FRONT FURNACE	15A
20	SWITCHER	5A
21	LP	10A
22	CLST LT/IR	10A
23	EXT ENT	10A
24	EXT ENT	20A

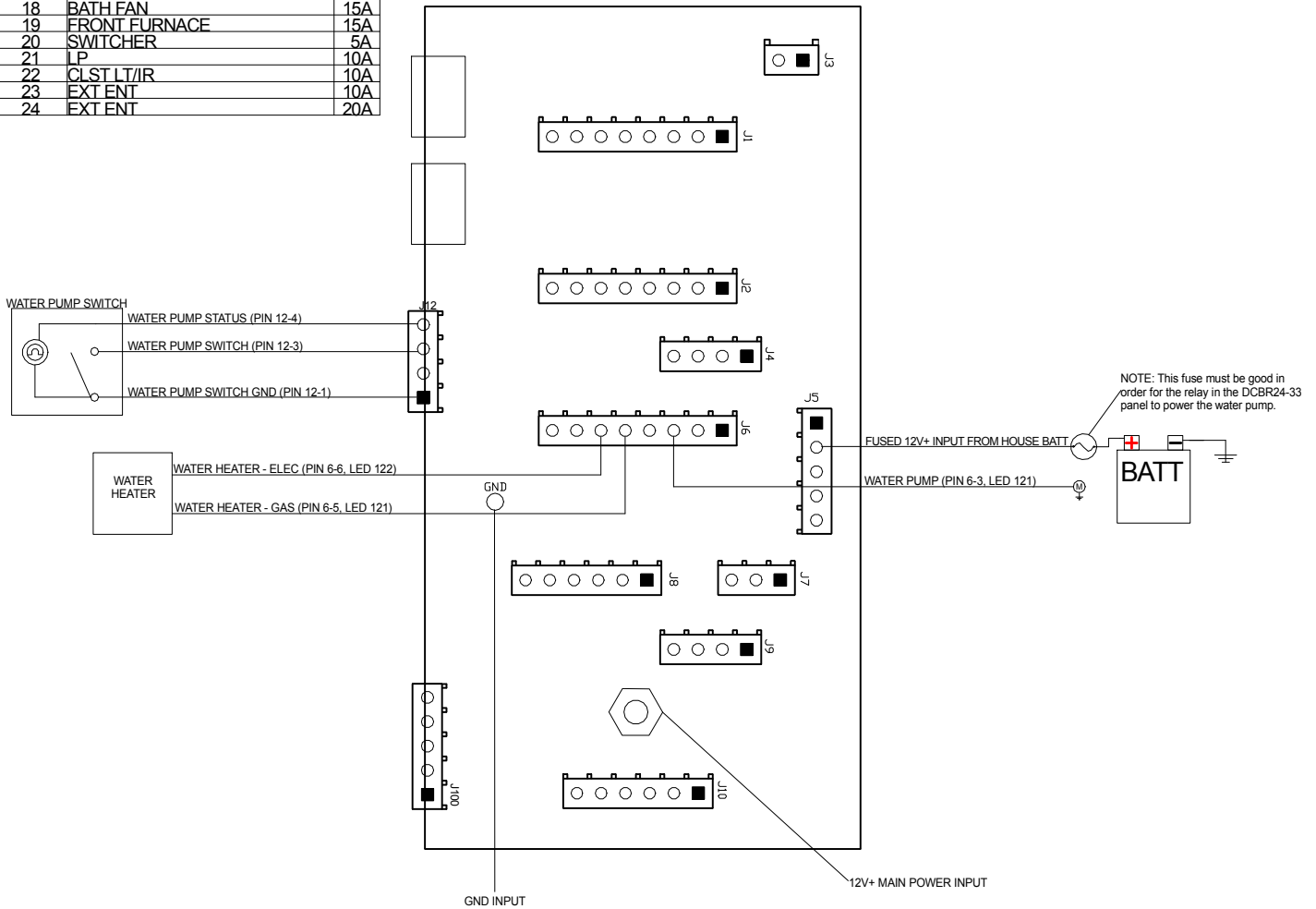


ALLEGRO TANK MONITOR SYSTEM

DESC.	DCBR 24-33 PANEL LIGHTS		
DESIGN FOR:	TIFFIN ALLEGRO	TYPE:	ELECTRICAL DRAWING
REV #	1v0		
SPYDER CONTROLS CORP		JAN 21/2015	

BREAKERS

BREAKER#	LOAD	AMPS
1		
2		
3	BED RM & MAIN CEILING LTS	5A
4	TASK LTS & HALL LTS	5A
5	ENTRY LT & TOILET RM LT	5A
6	REAR BATH LT & FLOOR LT	5A
7		
8		
9		
10	WATER HTR (ELEC & GAS)	15A
11	PORCH LT	5A
12	SPARE LIGHTS	5A
13	SPARE	20A
14	SPARE	20A
15	SPARE	20A
16	GALLEY FAN	20A
17	TOILET FAN	15A
18	BATH FAN	15A
19	FRONT FURNACE	15A
20	SWITCHER	5A
21	LP	10A
22	CLST LT/IR	10A
23	EXT ENT	10A
24	EXT ENT	20A



DESC. DCBR 24-33 PANEL WATER/HTR

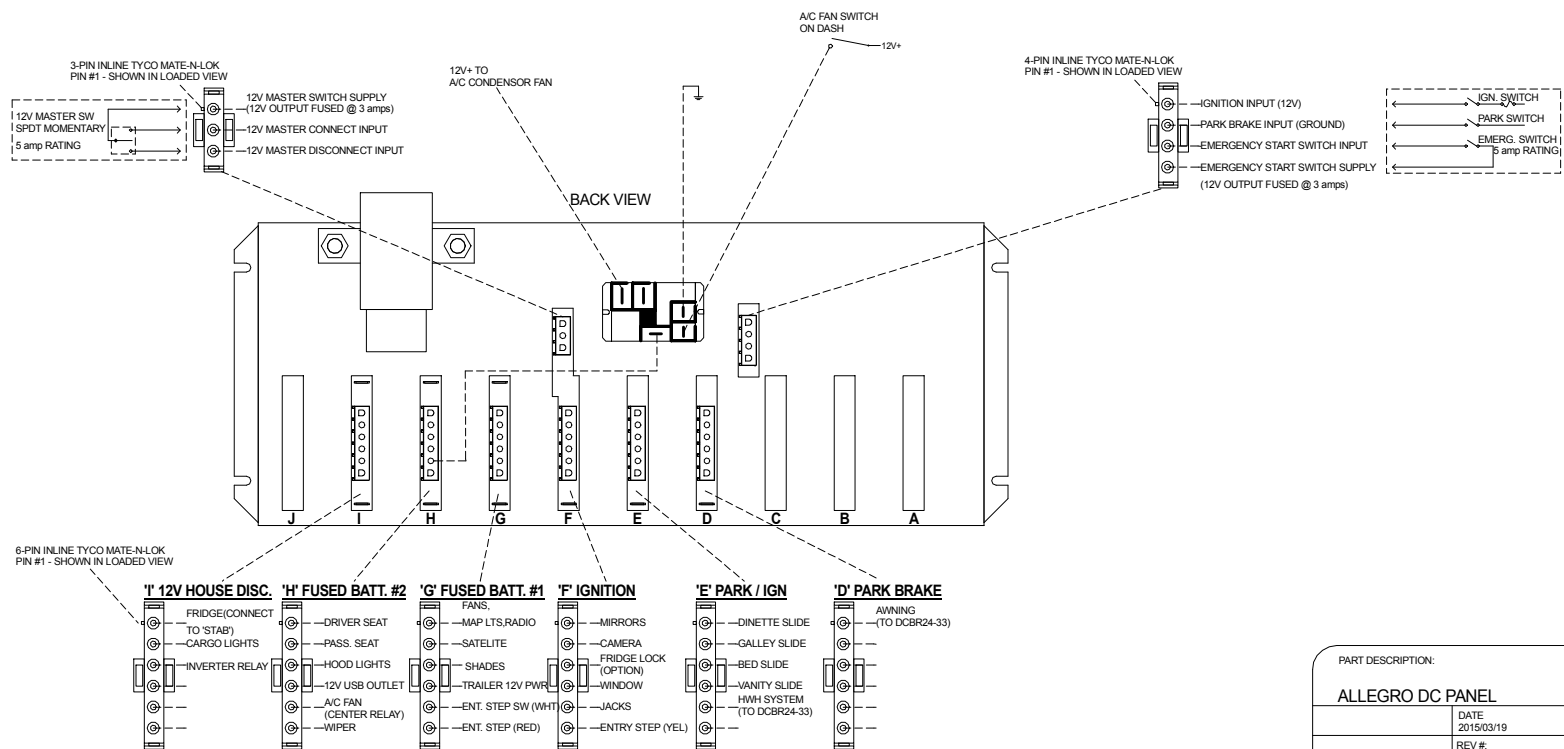
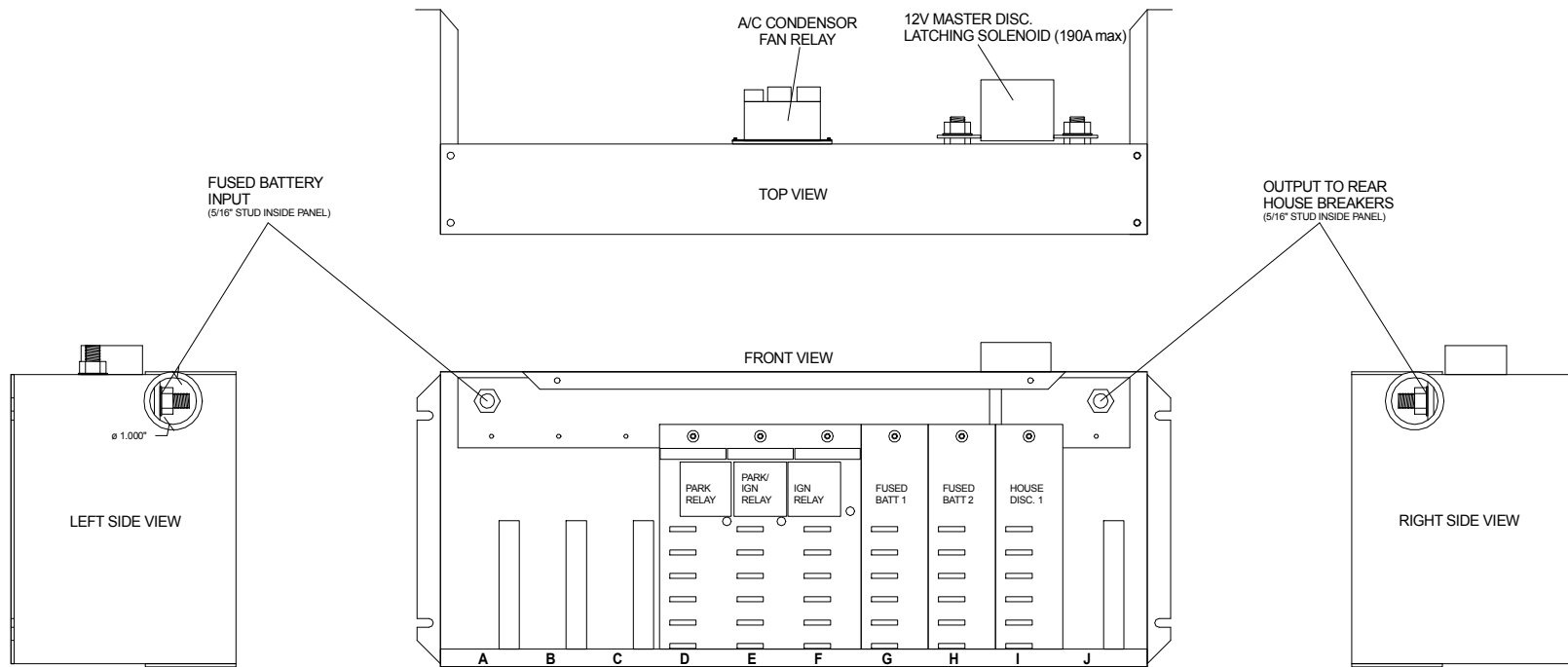
DESIGN FOR: TIFFIN ALLEGRO | TYPE: ELECTRICAL DRAWING

REV # | 1v0

SPYDER CONTROLS CORP

JAN 21/2015

THE FOLLOWING PAGES CONTAIN
INFORMATION PERTINENT TO THE
SPYDER CDC PANEL ONLY.
THE SPYDER CDC PANEL
IS LOCATED IN THE FRONT LEFT
BAY DOOR.



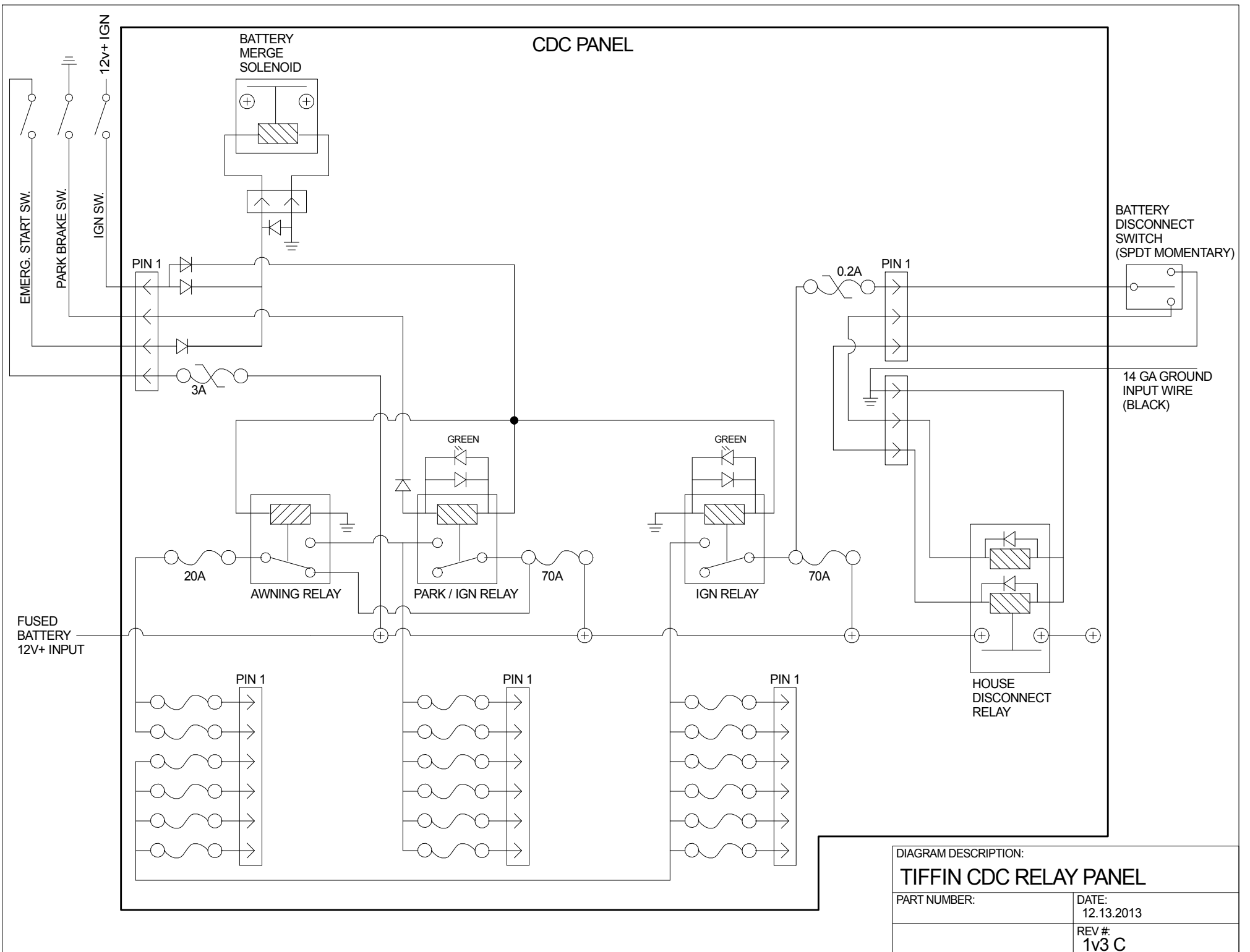


DIAGRAM DESCRIPTION:	
TIFFIN CDC RELAY PANEL	
PART NUMBER:	DATE: 12.13.2013
	REV #: 1v3 C

ALLEGRO CDC PANEL CIRCUITS

CH#	Load Name	Amps	Fuse/Breaker
Module A - Unused / Open			
1			
2			
3			
4			
5			
6			
Module B - Unused / Open			
1			
2			
3			
4			
5			
6			
Module C - Unused / Open			
1			
2			
3			
4			
5			
6			
Module D - Park Brake			
1	Awning (to DCBR24-33)	15A	Fuse
2			
3			
4			
5			
6			
Module E - Ignition & Park Brake			
1	Dinette Slide (optional)	25A	Breaker
2	Galley Slide	25A	Breaker
3	Bed Slide	25A	Breaker
4	Vanity Slide	25A	Breaker
5	HWH PUMP (to DCBR24-33)		
6			
Module F - Ignition			
1	Mirrors	15A	Breaker
2	Camera	5A	Fuse
3	Fridge Lock (option)	5A	Fuse
4	Window	15A	Fuse
5	Jacks (buzzer)	5A	Fuse
6	Entry Step (YELLOW)	5A	Fuse
Module G - Fused Battery #1			
1	Fans, Map Lights, Radio	10A	Fuse
2	Satelite	5A	Fuse
3	Shades	5A	Fuse
4	Trailer 12V Power	20A	Fuse
5	Entry Step Swtich (WHITE)	5A	Fuse
6	Entry Step (RED)	25A	Breaker
Module H - Fused Battery #2			
1	Driver Seat	25A	Breaker
2	Passenger Seat	25A	Breaker
3	Hood Lights	5A	Fuse
4	12V Outlet / USB	20A	Fuse
5	A/C Fan	20A	Fuse
6	Wiper	30A	Breaker
Module I -House Disconnect			
1	Fridge	30A	Fuse
2	Cargo Lights	20A	Fuse
3	Inverter Relay	5A	Fuse
4			